

HINGE OPEN 180°  
ISOMETRIC VIEW

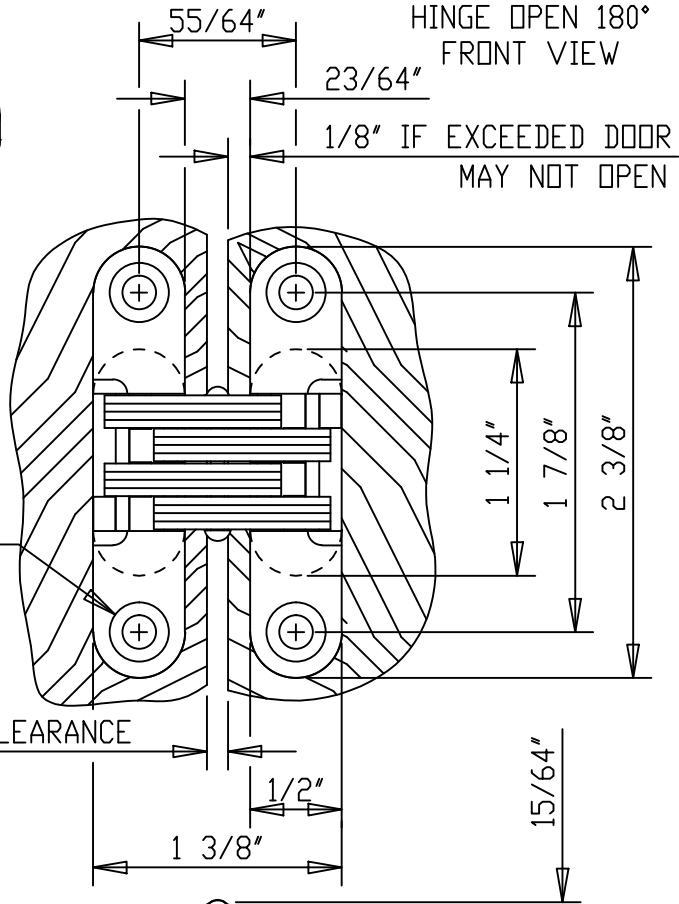
3/16" DIA HOLE WITH  
21/64" DIA x 82° C'SINK

7/64" DOOR CLEARANCE

WOOD SCREW  
#7 x 1-1/4"

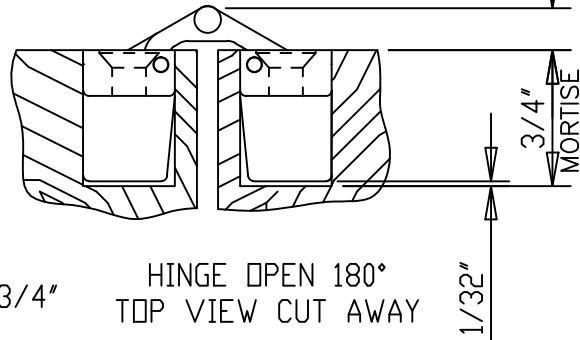
MACH. SCREW  
#8-32 x 5/8"

MIN. MATERIAL THICKNESS IS 3/4"  
DO NOT SCALE DRAWING  
ALL DIMENSIONS ARE IN INCH  
DOOR CLEARANCE REDUCES TO 1/64" WHILE CLOSING  
SEE DWG# 4477-C IF ADDING MATERIAL TO DOOR FACE AND/OR FRAME FACE



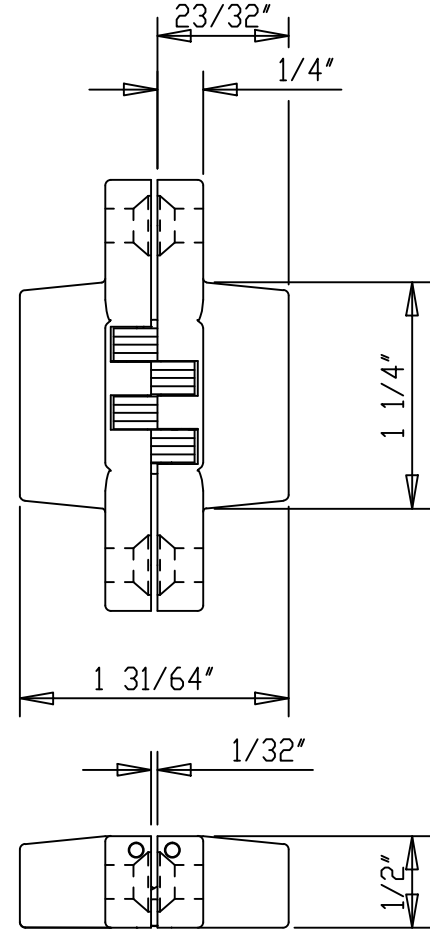
HINGE OPEN 180°  
FRONT VIEW

1/8" IF EXCEEDED DOOR  
MAY NOT OPEN




HINGE OPEN 180°  
TOP VIEW CUT AWAY

HINGE CLOSED  
FRONT VIEW CUT AWAY



HINGE CLOSED  
TOP VIEW CUT AWAY

 Copyright 2008 Universal Industrial Products, Inc. One Coreway Drive Pioneer, Ohio 43554-0628	SCALE: 1 = 1
	DRAWN BY: LHH
HINGE TEMPLATE	DATE: 5/01/11
#204 SOSS INVISIBLE HINGE	DRAWING # 204